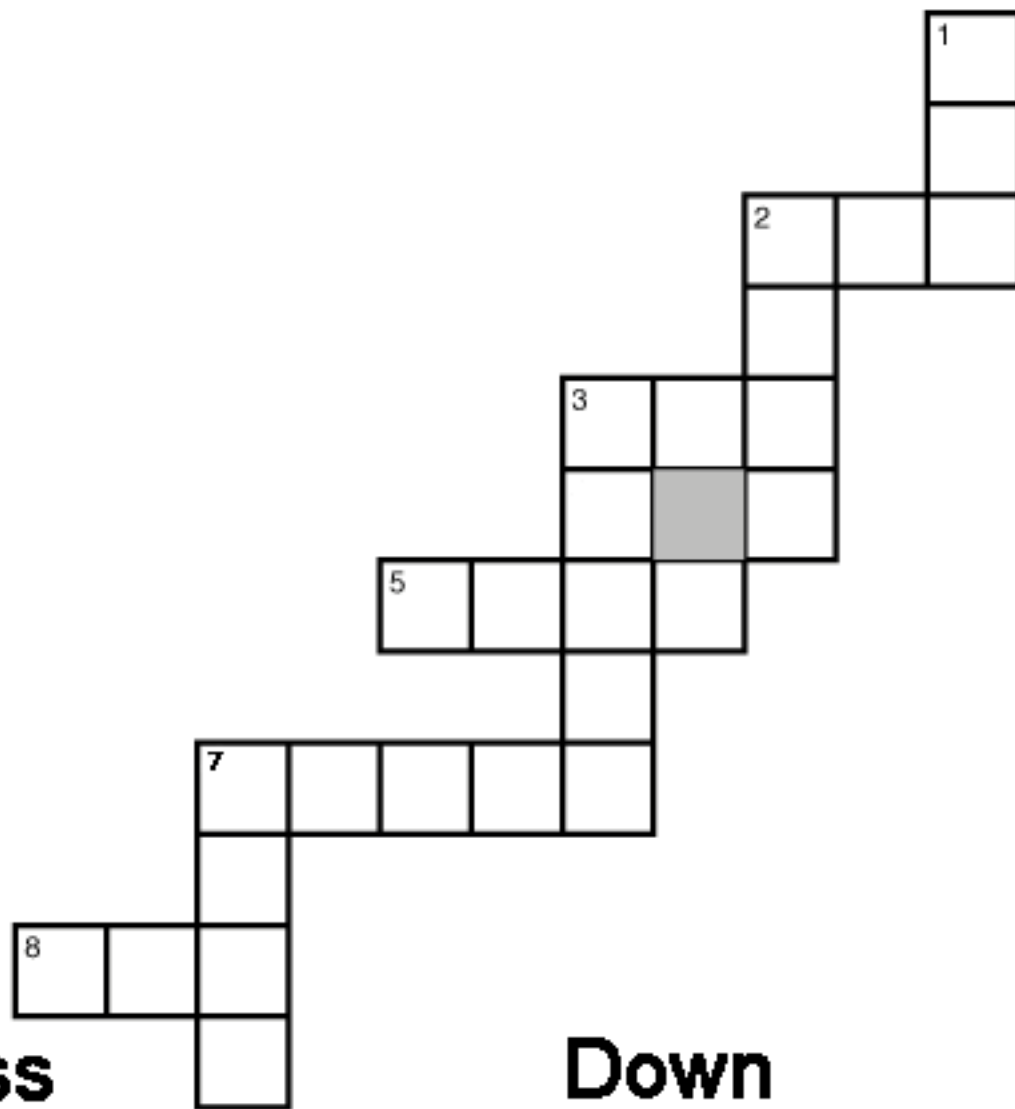










#3 Basic and Bonus AN Words



Across

2. 
3. 
5. 
7. 
8. 

Down

1. 
2. 
3. 
7. 