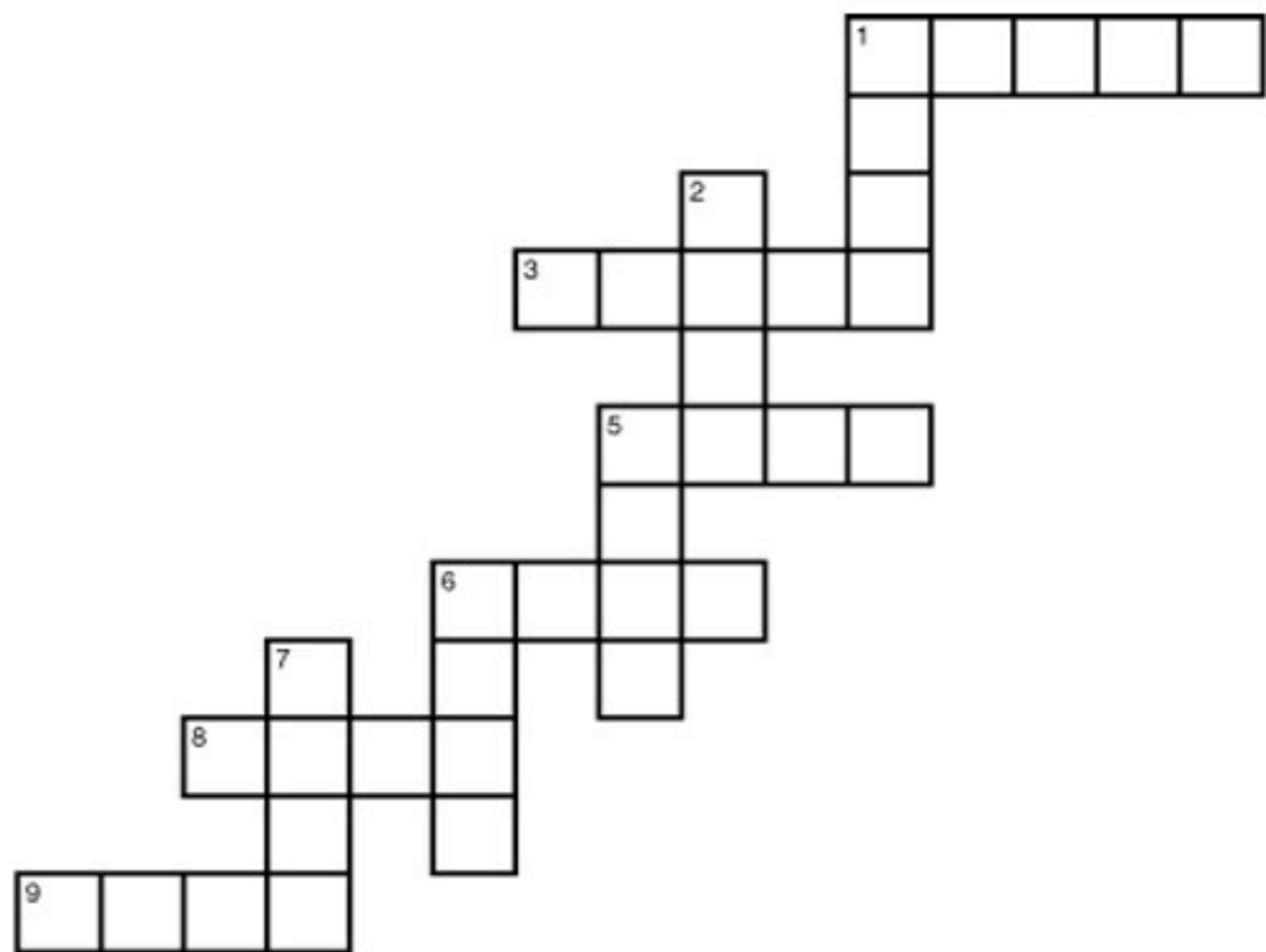


#1 Bonus AT and AN Words







Across

1. 
3. 
5. 
6. 
8. 



Down

1. 
2. 
5. 
6. 
7. 